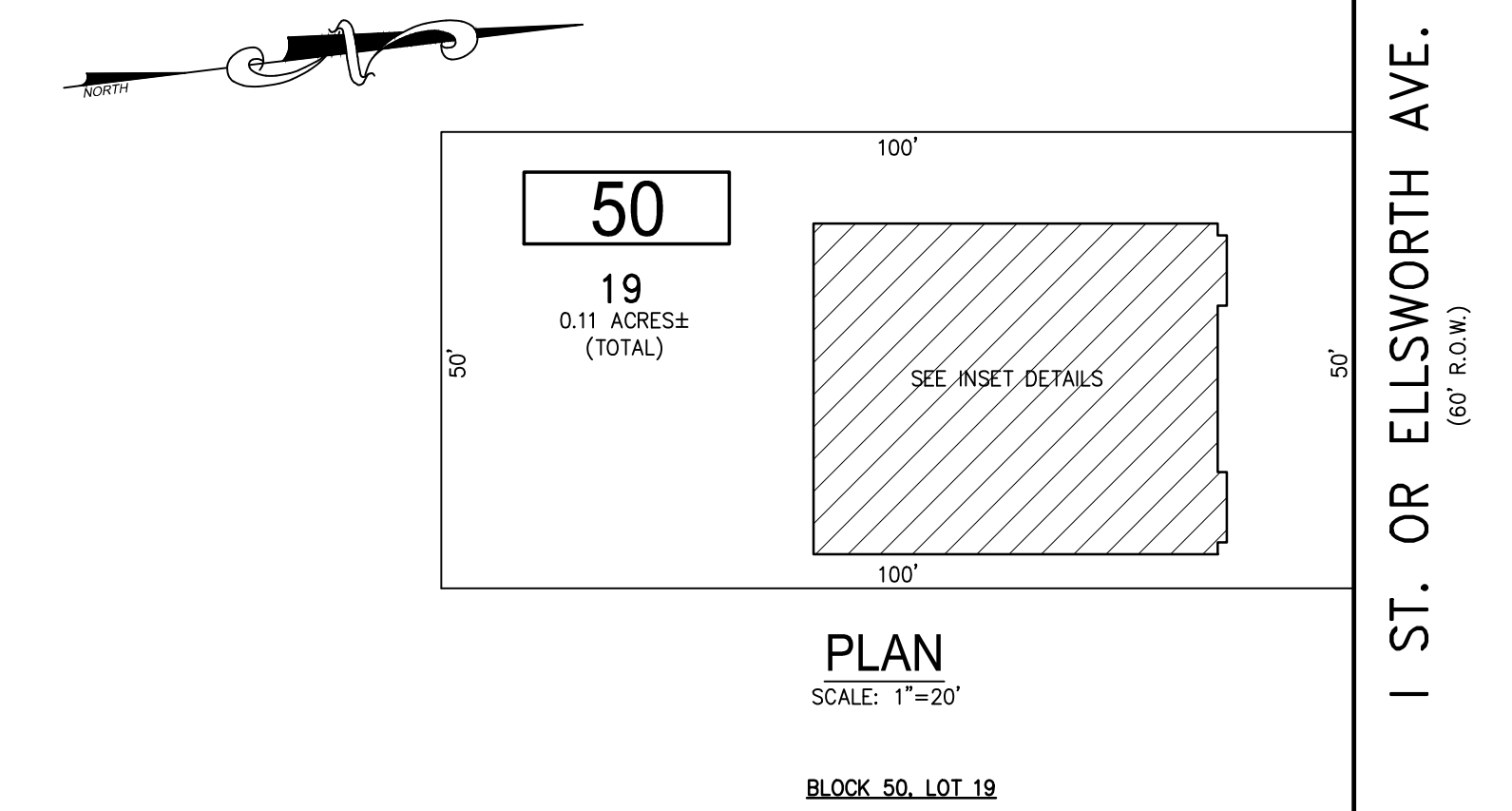


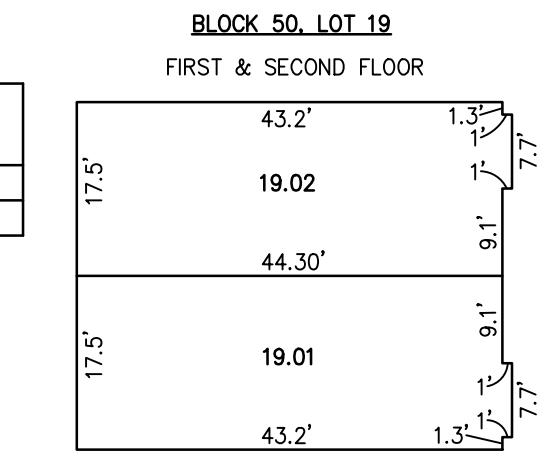
REVISIONS		
DATE	NAME	NO.
JAN. 2016	CHARLES E. ADAMSON	42627

NOTE:
THIS SHEET HAS BEEN DRAWN USING COMPUTER AIDED DRAFTING/DESIGN (CAD/D) AND COORDINATE GEOMETRY (COGO).



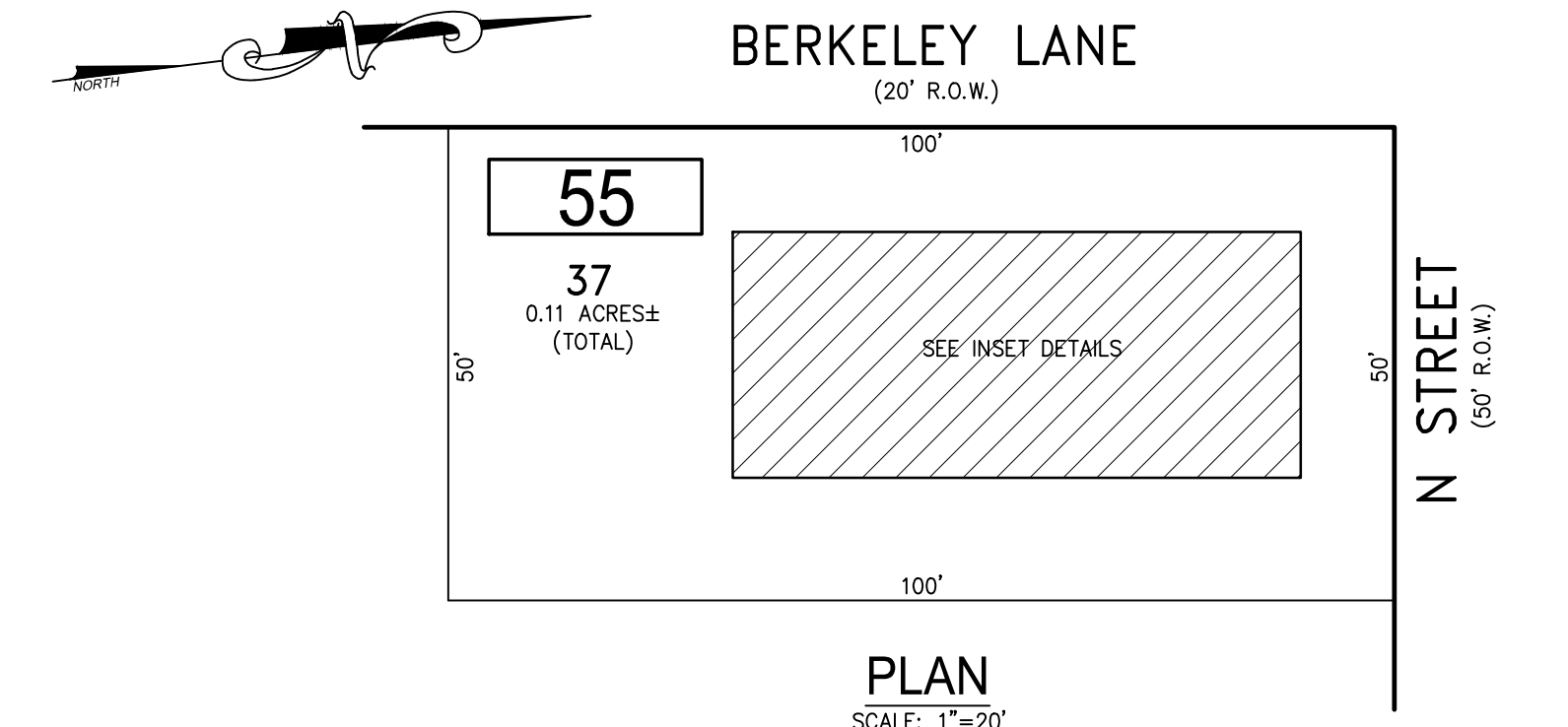
PLAN
SCALE: 1"=20'

BLOCK NUMBER	LOT NUMBER	CONDO QUALIFIER	SQUARE FOOTAGE
50	19.01	C.A1	766 SF.
50	19.02	C.A2	766 SF.



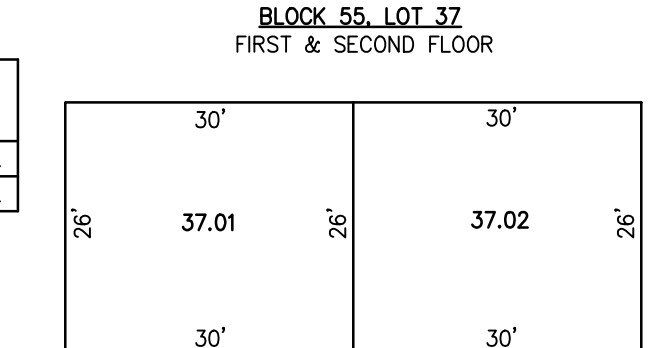
DETAILS
SCALE: 1"=20'

BLOCK 50, LOT 19
BAYVIEW "I" STREET CONDOMINIUM
117-119 I STREET



PLAN
SCALE: 1"=20'

BLOCK NUMBER	LOT NUMBER	CONDO QUALIFIER	SQUARE FOOTAGE
55	37.01	C.A1	1560 SF.
55	37.02	C.A2	1560 SF.



DETAILS
SCALE: 1"=20'

BLOCK 55, LOT 37
1312 BERKELEY LANE CONDOMINIUM

BLOCK 50, LOT 19
BLOCK 55, LOT 37
SEE SHEET 10

TAX MAP
BOROUGH OF SEASIDE PARK

OCEAN COUNTY NEW JERSEY
SCALE: NOTED DATE: 1-10-2016

CHARLES E. ADAMSON NJ PROFESSIONAL LAND SURVEYOR LIC. NO. 42627

REMINGTON, VERNICK & VENA ENGINEERS
24 GA 28003300
9 ALLEN STREET, TOMS RIVER, NJ 08753
(732) 286-9220, FAX (732) 505-8416
WEB SITE ADDRESS: WWW.RVVE.COM